

## Coffee System PrecisionBrew, double for vacuum shuttle with stand with UK plug

ITEM # \_\_\_\_\_

MODEL # \_\_\_\_\_

NAME # \_\_\_\_\_

SIS # \_\_\_\_\_

AIA # \_\_\_\_\_


**600811 (EPBC2VS2UK)**

PrecisionBrew Vacuum Shuttle Brewer, for vacuum shuttle, with stand, double - shuttles to be ordered separately - UK plug

### Short Form Specification

**Item No.** \_\_\_\_\_

Double PrecisionBrew vacuum shuttle brewer, with stand, that brews into 5.7lt vacuum shuttle. Shuttles® sensor prevents brewing when server is not in place. Digitally controlled with PrecisionBrew™ Technology. Advanced touchscreen digital interface simplifies and streamlines brewing and operation.

Delivered with UK plug.

### Main Features

- Sensor prevents brewing when shuttle is not in place.
- Machine knows if brew basket is installed.
- Digitally controlled with PrecisionBrew™ Technology.
- Interactive diagnostics through touch display.
- Intuitive, icon-driven touchscreen digital interface simplifies and streamlines brewing and operation.
- Reimagined modern design for PrecisionBrew™: single and double sightglass models brew into 5.7 L vacuum Shuttle(s)®.

### Included Accessories

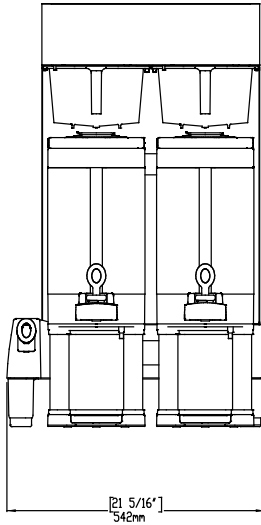
- 2 of Stainless steel coffee brew basket PNC 870059

### Optional Accessories

- 5,7 lt Vacuum shuttle with stand used with brewers EPBC1VS2, EPBC1VS2UK, EPBC2VS2, EPBC2VS2UK PNC 600634
- Shuttle graphics for vacuum Precision Brewers used with shuttle VS15 and V15 PNC 870016
- Filter paper, 35,5x15,2 cm (500 pieces per box) PNC 870024
- Plastic coffee brew basket PNC 870040

**APPROVAL:** \_\_\_\_\_

Front


**Electric**

Supply voltage:

600811 (EPBC2VS2UK)

230 V/1N ph/50/60 Hz

Electrical power max.:

2.3 kW

**Key Information:**

External dimensions, Width: 460 mm

External dimensions, Depth: 479 mm

External dimensions, Height: 765 mm

Net weight: 32 kg

Shipping weight: 41 kg

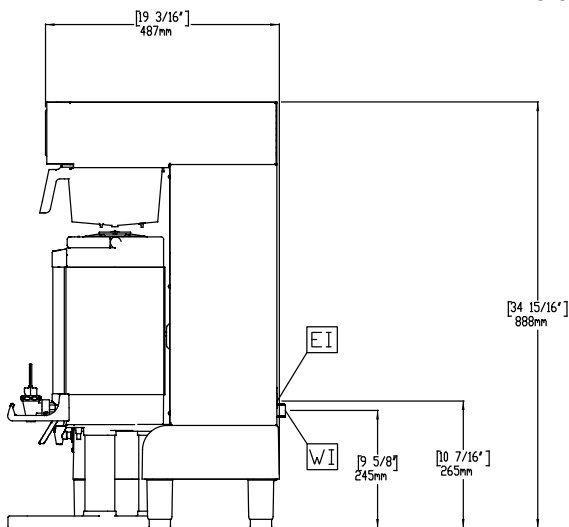
Shipping height: 911 mm

Shipping width: 664 mm

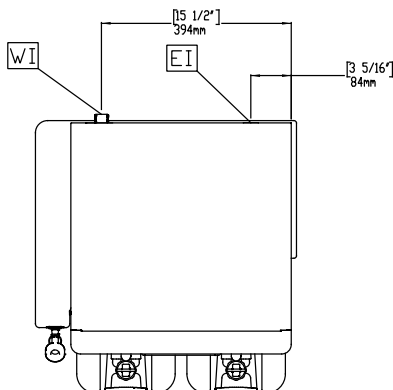
Shipping depth: 654 mm

 Shipping volume: 0.4 m<sup>3</sup>

Side



Top


 Coffee System  
 PrecisionBrew, double for vacuum shuttle with stand with UK plug

The company reserves the right to make modifications to the products without prior notice. All information correct at time of printing.